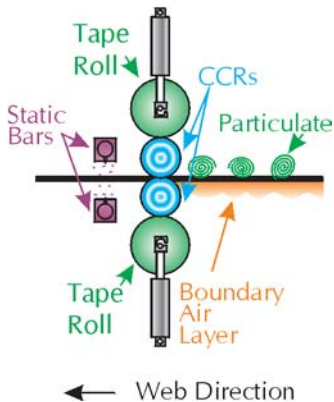


## Contact Cleaners - For every application and budget

SIMCO's **Contact Cleaning Systems** can remove particulate down to 1 micron in size from a moving web.

### Typical "Nip-Style" Contact Cleaner Roll Alignment



Using Contact Cleaner Rolls (CCR) in a nip configuration, the CCR applies from 0.5 to 2 psi pressure on the web, squeezing out the boundary layer of air. Performance evaluations reveal a cleaning efficiency of 97% of particles down to 10 microns in size and removal of most particles to 1 micron in size.

**HexClam** and **QuadClam** are named for their clamshell design. These advanced 4 and 6-roll assemblies allow the top-half of the cleaner to open and the tape-rolls to slide out on drawers. This greatly facilitates tape maintenance and web threading. The HexClam is available to 24" and the QuadClam for 30" to 60" widths. Both are constructed of stainless steel and aluminum for strength and are equipped with a static neutralizing bar and pneumatic cylinder to separate tape rolls from CCRs.



**HexClean** and **QuadClean** are basic 4-roll and 6-roll assemblies for both top and bottom web-surface cleaning. The HexClean is available to 24" wide and the QuadClean for 30" to 60" widths. Both feature a static neutralizing bar, pneumatic cylinder to lift tape rolls and CCRs, and easy to maintain stainless steel and aluminum construction.



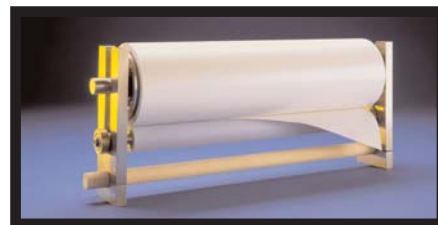
### Feature

- Quick release gudgeons
- Air cylinders engage & separate rolls.
- Static bar and power supply
- Operator panel remotely mounted

### Benefits

- Easy tape removal
- Longer CCR and tape life
- Easy web threading
- Remove static charges and optimize web cleaning
- Convenient operation

The **2-Roll "Deuce"** is designed for cleaning one web surface and is the most basic of all the narrow web cleaners. It consists of one contact cleaning roll (CCR) and one tape roll. Its simple design and ease of installation add to its appeal



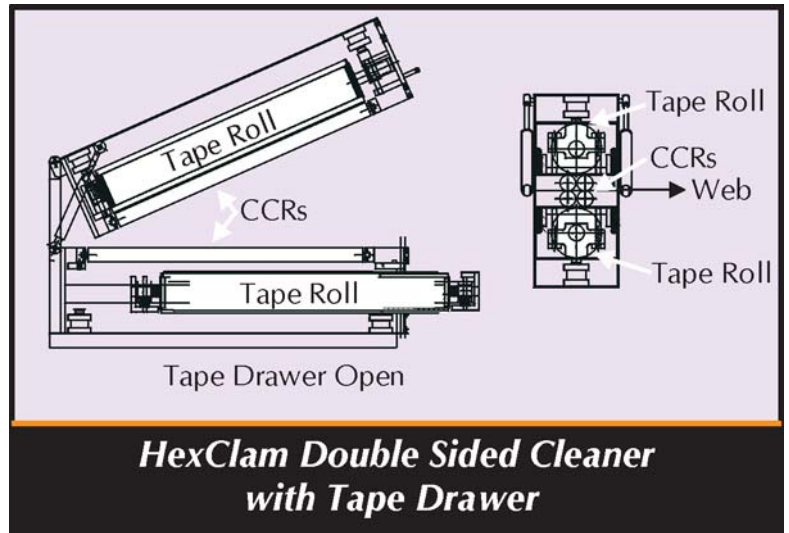
## Double Sided Cleaners Clam Shell Design with Tape Drawer

### HexClam (for Printing and Converting)

- No. of CCRs: 4 rolls
- CCR Diameter: 1.25" diameter
- No. of Tape Rolls: 2 rolls, 80' each
- Max. % Clean: 99%
- Web Speed: 500 FPM
- Electrical: 120 VAC, 2 AMP
- Pneumatic: 60 PSIG to 90 PSIG (depending on width)
- SM Static Bar: Shockless, with metal shielded cable to reduce EMI/RFI emissions
- S165 Power Supply: 120V, 50/60 Hz

### QuadClam (for Printing and Converting)

- No. of CCRs: 2 rolls, 80' each
- CCR Diameter: 3.75" diameter
- No. of Tape Rolls: 2 rolls
- Max. % Clean: 97%
- Web Speed: to 500 FPM
- Electrical: 120 VAC, 2 AMP
- Pneumatic: 60 PSIG to 90 PSIG (depending on width)
- SM Static Bar: Shockless, with metal shielded cable to reduce EMI/RFI emissions
- S165 Power Supply: 120V, 50/60 Hz



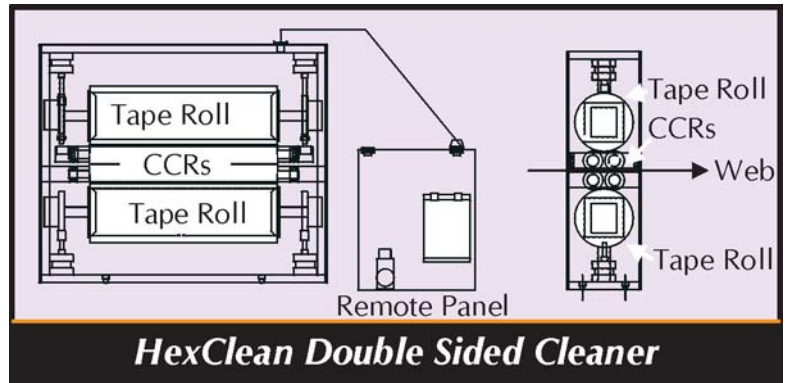
## Double Sided Cleaners

### HexClean (for Printing and Converting)

- No. of CCRs: 4 rolls
- CCR Diameter: 1.25" diameter
- No. of Tape Rolls: 2 rolls, 80' each
- Applications: Converting & Printing
- Max. % Clean: 99%
- Web Speed: 500 FPM
- Electrical: 120 VAC, 2 AMP or 230 VAC,
- Pneumatic: 60 PSIG to 90 PSIG (depending on width)
- SM Static Bar: Shockless, with metal shielded cable to reduce EMI/RFI emissions
- S165 Power Supply: 120V, 50/60 Hz

### QuadClean (for Printing and Converting)

- No. of CCRs: 2 rolls
- Diameter: 3.75" diameter
- No. of Tape Rolls: 2 rolls, 80' each
- Max. % Clean: 97%
- Web Speed: to 500 FPM
- Electrical: 120 VAC, 2 AMP
- Pneumatic: 60 PSIG to 90 PSIG (depending on width)
- SM Static Bar: Shockless, with metal shielded cable to reduce EMI/RFI emissions
- S165 Power Supply: 120V, 50/60 Hz



## Single Sided Cleaner

### Deuce (for Narrow Web Presses)

- No. of CCRs: 1 roll
- CCR Diameter: 1.25" diameter
- No. of Tape Rolls: 1 roll, 80' each
- Max. % Clean: 97%
- Web Speed: 500 FPM

**NOTE:** Requires no air or power.

