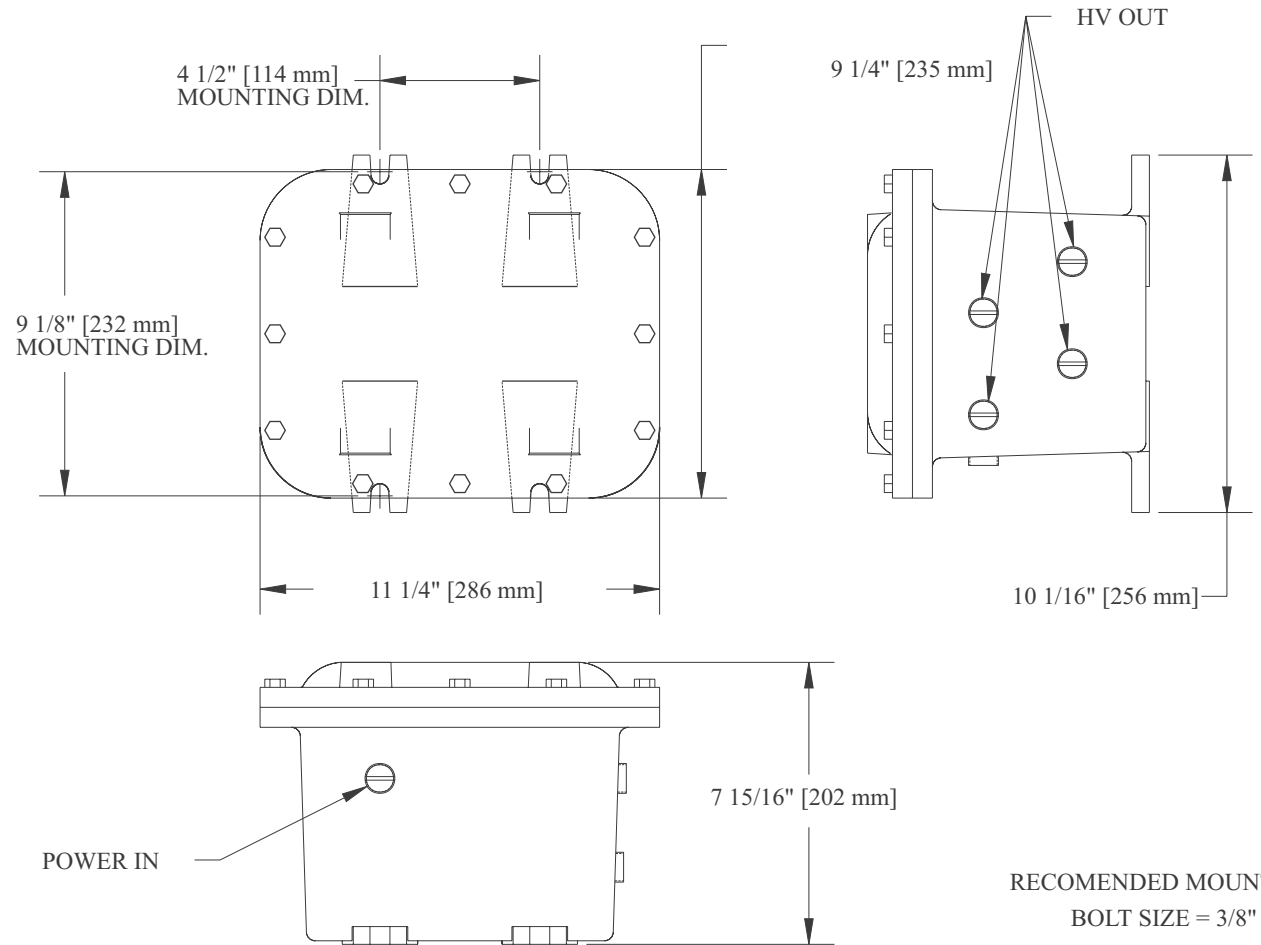


Maximum Static Bar
and Conduit Length Chart

Static Bar	Conduit (max.)
up to 50"	45'
51" - 100"	40'
101" - 125"	35'
126" - 150"	30'
151" - 200"	25'
201" - 250"	20'
251" - 275"	15'
276" - 300"	10'



ALL DIMENSIONS FOR REFERENCE ONLY

B	MFS	ECN 453
	SRM	09/11/00
REV	CHECKED	ECN
	APPROVED	DATE



the SIMCO company, inc.
 2257 NORTH PENN ROAD
 HATFIELD, PA 19440-1998

TITLE
XP167 & XP267
POWER SUPPLIES

DRAWING NUMBER
5000245