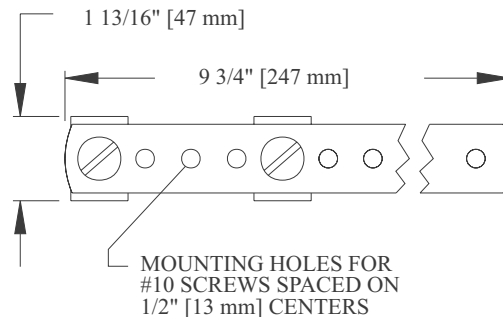
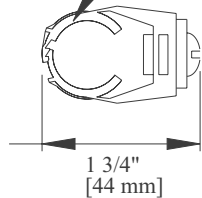
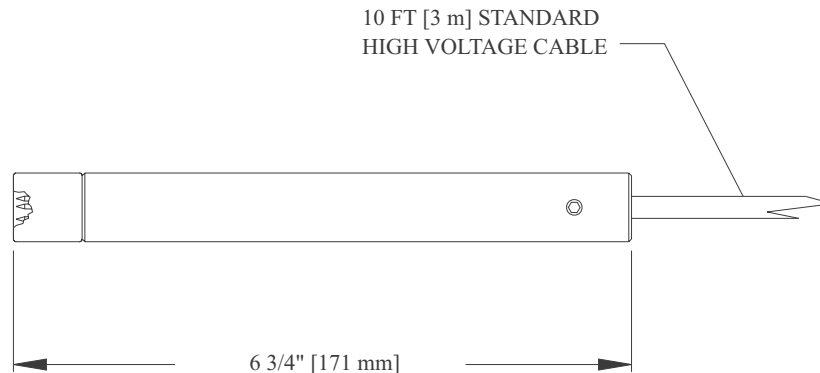
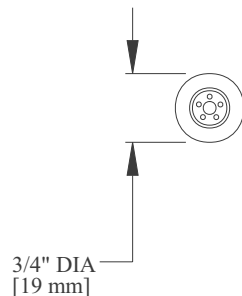


3/4" [19 mm] INSIDE GRIP DIAMETER



### STANDARD MOUNTING BRACKET



## PINNER 5-POINT APPLICATOR

SHEET 1 OF 4

ALL DIMENSIONS FOR REFERENCE ONLY

A	MFS	428
	SRM	11-8-00
REV	CHECKED	ECN
	APPROVED	DATE



the SIMCO company, inc.  
2257 NORTH PENN ROAD  
HATFIELD, PA 19440-1998

TITLE

### CHARGING APPLICATOR

DRAWING NUMBER

5000555