



Industrial Static Control

WWW.SIMCO-ION.COM

## I-VSE 5000

### STATIC NEUTRALIZING BLOWER

The I-VSE 5000 static neutralizing blower neutralizes static charges fast in demanding industrial environments.

- High volume variable speed fan
- Passive ionization circuit
- Effective neutralization for areas up to 20 square feet
- Built in air diffuser
- Optional adjustable floor stand available



## Specifications

<b>Operating voltage</b>	120 VAC
<b>Power</b>	45 watts
<b>Blower Output</b>	100 to 255 cfm (adjustable)
<b>Air Velocity</b>	4.3 m/sec at 0.6 meters (850 ft/min at 2 ft) at maximum fan speed
<b>EMI/RFI</b>	Complies with FCC Part 15 requirements for Class A equipment
<b>Dimensions</b>	10" L x 12"W x 6.25"H (254 mmL x 305 mmW x 159 mmH)
<b>Weight</b>	8 lbs (3.6 kg)

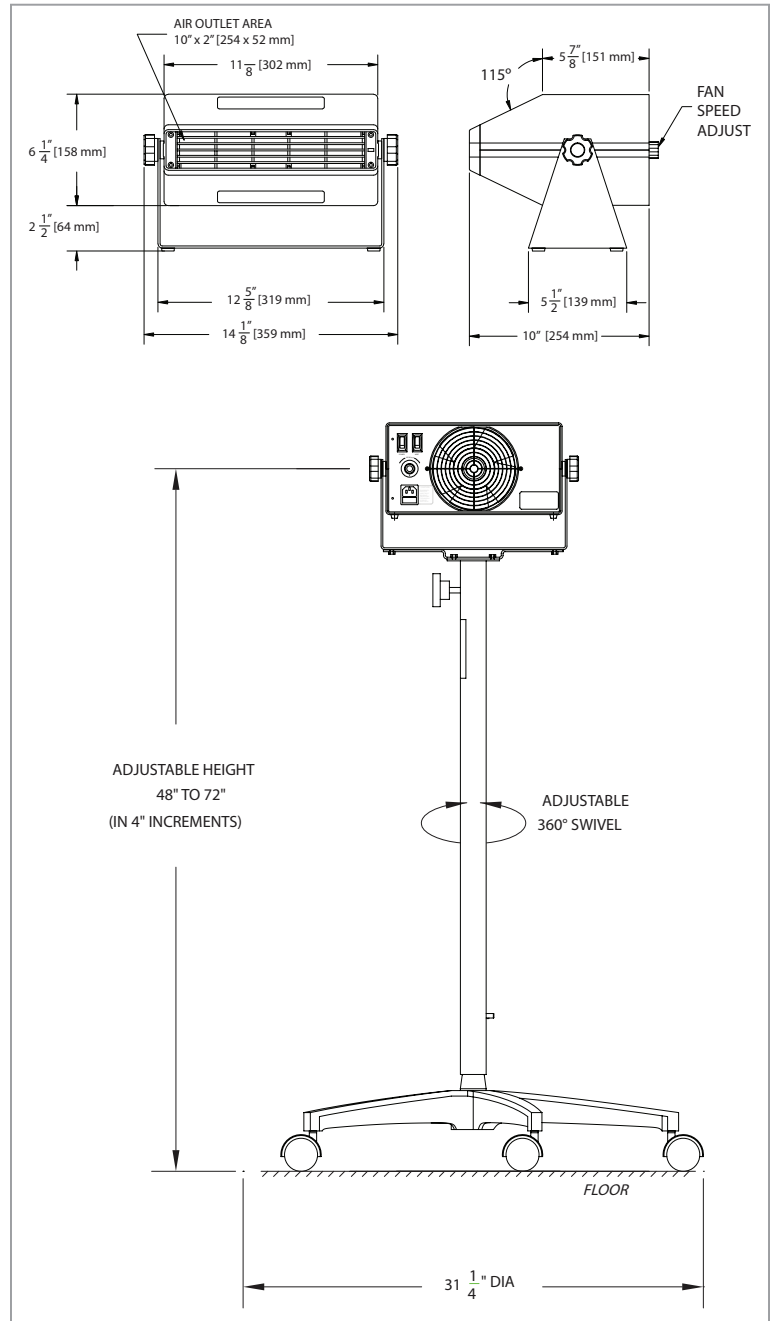
## Performance Data

Distance From Ionizer (ft)	Neutralization Time (sec)
1	0.6
2	1.0
3	1.4
4	2.0
5	2.5
6	3.6
7	4.3
8	5.5
9	6.8
10	8.8

Neutralization times represent 90% neutralization of a 1000 VDC Plate (1000 V to 100 V) at specified distances. Neutralization times measured per ANSI EOS/ESD Standard 3.1



## Dimensions



**SIMCO ION**<sup>TM</sup>  
An ITW Company

P/N 5200762 Rev. F  
© 2024 Simco-Ion – All rights reserved.  
Specifications are subject to change without notice.

### Simco-Ion

2257 North Penn Road  
Hatfield, PA 19440-1998  
Tel: 800.203.3419 (in USA)  
Tel: 215.822.6401

customerservice@simco-ion.com  
www.simco-ion.com